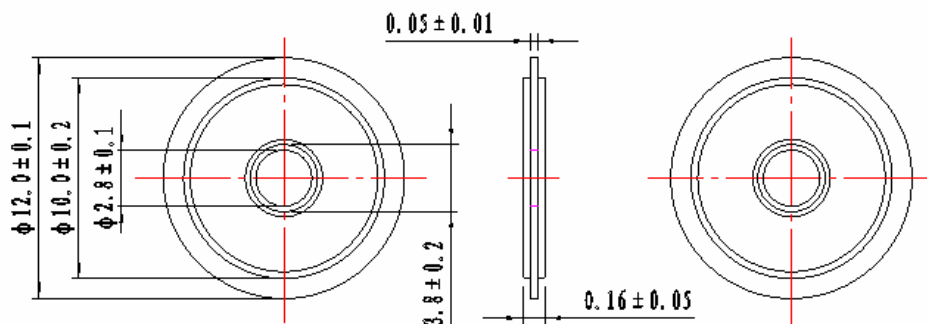


PIEZO ELEMENT SPECIFICATIONS

MODEL: AW3E12T-58E2A

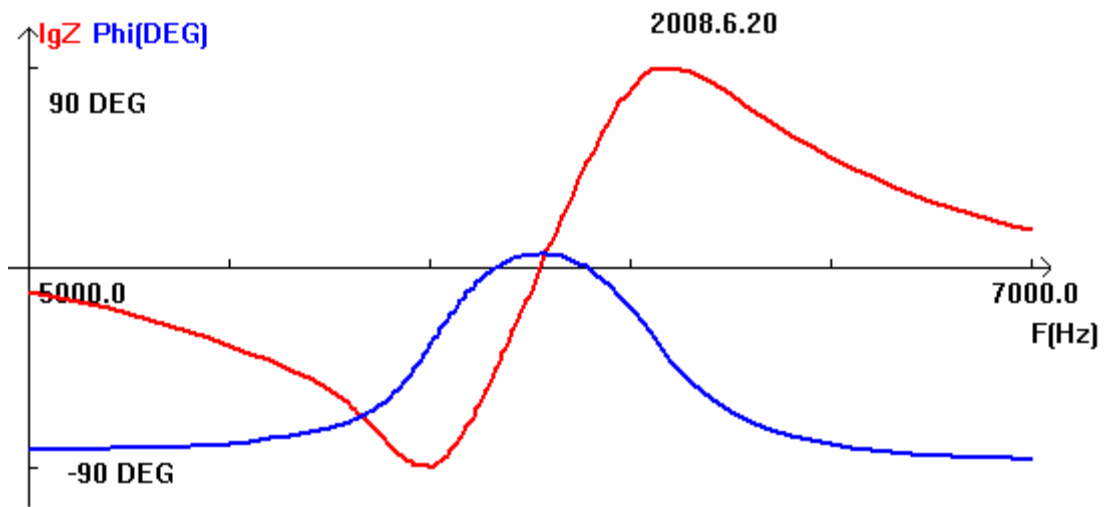
Item	Unit	Standard	(Test condition): T=25℃
Resonant frequency	kHz	5.8±1.0	PV70A
Main electrostatic capacity	pF	35000±30%	Digital electric bridge At 1000Hz/1V
Resonant impedance	Ω	1500 MAX.	PV70A
Metal plate material	...	Brass	...
Metal plate diameter	mm	12.0±0.10	Vernier caliper
Metal plate thickness	mm	0.05±0.02	Micrometer
Ceramic diameter	mm	10.0±0.20	Micrometer
Total height	mm	0.16±0.05	Micrometer
Insulation resistance	MΩ	100 MIN.	Insulation resistance tester At 50V
Maximum input voltage	V _{p-p}	30	...
Operating temperature range	℃	-20℃ to +70℃	...
Storage temperature range	℃	-30℃ to +80℃	...

APPEARANCE AND DIMENSIONS:



Remark: The Pb in ceramic is exempt, other ingredients are all ROHS compliant

■ TYPICAL FREQUENCY RESPONSE CURVE



■ MEASURING PROCEDURE

The node held with a measuring terminal, the resonant frequency and resonant impedance are measured in the constant-voltage circuit.

